

## Nominal data

Type	512 F-532	
Nominal voltage	VDC	12
Nominal voltage range	VDC	10.8 .. 13.2
Speed	min <sup>-1</sup>	5000
Power input	W	0.9
Min. ambient temperature	°C	-20
Max. ambient temperature	°C	85
Air flow	m <sup>3</sup> /h	20
Sound power level	B	4.5
Sound pressure level	dB(A)	30

ml = Max. load · me = Max. efficiency · fa = Running at free air · cs = Customer specs · cu = Customer unit  
Subject to alterations

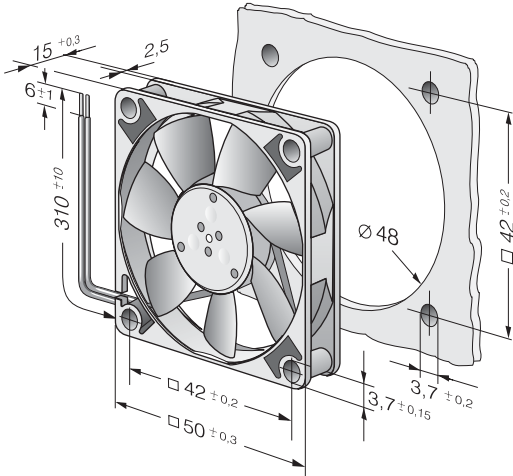
**Technical features**

<b>Mass</b>	0.027 kg
<b>Dimensions</b>	50 x 50 x 15 mm
<b>Material of impeller</b>	PA plastic 6.6, fibreglass-reinforced
<b>Housing material</b>	PBT plastic, fibreglass-reinforced
<b>Direction of air flow</b>	Air exhaust over bars
<b>Direction of rotation</b>	Counter-clockwise, looking at rotor
<b>Bearing</b>	Sintec sleeve bearing
<b>Lifetime L10 at 20 °C</b>	50000 h
<b>Lifetime L10 at 60 °C</b>	20000 h
<b>Connection line</b>	Single strands AWG 28, TR 64, bared and tin-plated.
<b>Option</b>	Special options: Speed signal Go / No-go alarm PWM control input Moisture protection

512 F-532

# DC axial compact fan

## Product drawing



## Charts: Air flow

